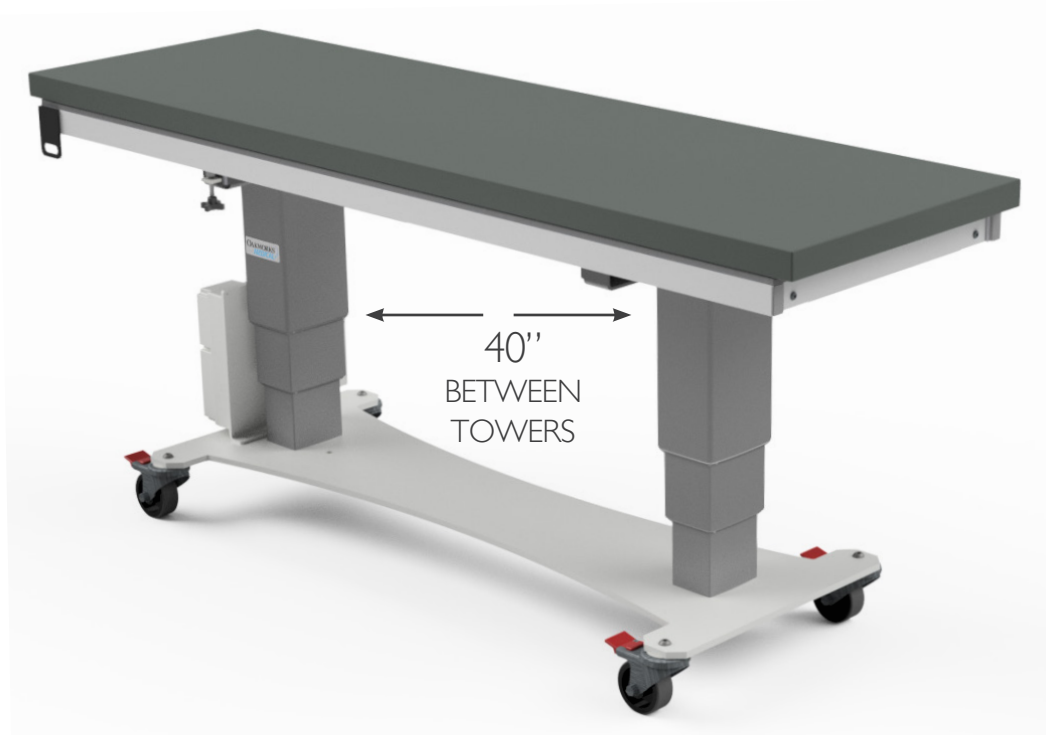


DTPM300 Imaging Table



The DTPM300 is a 3 motion table at a great price point. The two tower design with manual longitudinal travel of 23" allows imaging in cervical, lumbar and thoracic areas.

Motions

- Motion 1 - Height Range 24" - 40"
- Motion 2 - Trendelenburg Tilt $\pm 14^\circ$
- Motion 3 - Longitudinal Travel 23"

Features

- Large 24" wide x 78" long Radiolucent Polycarbonate top
- 2" Comfort Foam[®] table top pad
- Warranty is 3 years parts and 2 years labor

SPECIFICATIONS

- Stable 2 Tower Lift Design
- Cost Effective 3 Motion Design
- 40" Open Space Between Towers
- 23" Manual Longitudinal Travel
- Warranty: 3 years parts, 2 years labor

DTPM300 #81806

INCLUDED FEATURES	
Polycarbonate Top with non-scattering aluminum frame	Rectangular 24" (61cm) wide x 78" (198cm) long - imaging area 20" wide x 74" long (50cm x 188cm)
Motion 1	Electric Height Range 24" - 40" (61-101cm) w/o pad
Motion 2	Electric Trendelenburg tilt +14°/-14°
Motion 3	Manual Longitudinal travel 23" (58cm)
Controls	Foot control (height) & hand control (height & trendelenburg)
Weight Capacity	450 lb (205kg)
Product Weight	390 lb (177kg)
Included Features	2" (3cm) Radiolucent Comfort Foam™ table top pad, 4" (10cm) locking casters, patient restraint straps (2)
Warranty	3 years parts, 2 years labor
Safety Listings	FDA listed, cETLus listed, CB Certificate

OPTIONS <i>must be ordered with table.</i>		#
Fixed T-rail (1 on each side)	78" long (198cm)	82013
Fixed T-rail (1 on each side)	20" long (51cm)	84163
Fixed T-rail (1 on each side)	6" long (15cm)	84162
Non-USA electrical systems	Please inquire	--

PATIENT RESTRAINT STRAP



The Patient Restraint Strap helps eliminate unwanted patient movement and injury during surgical procedures. The strap is easily adjusted to accommodate a variety of patient sizes.

- Easily adjusted and repositioned with hook & loop fasteners
- Durable radiolucent material

ACCESSORIES

SPINE POSITIONING SYSTEM II

Radiolucency & adjustability for ideal cervical, thoracic & lumbar visualization. Minimize unwanted movement & reduce procedure time.



SINGLE CARBON FIBER ARM BOARD

Fully radiolucent with a 180° range of motion, the arm board requires no mounting or attachment hardware and simply slides under the table top pad. Will support arms and feet in a variety of positioning configurations.

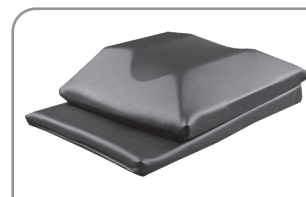


FLUORO EXTENDER

Made of radiolucent, polycarbonate material, it's organic shape is conducive to a variety of table placement applications. 30" long x 23.5" wide x 1/4" thick



INTERVENTIONAL SUPINE PILLOW SYSTEM



Primarily designed to facilitate cervical transforaminal injections, but useful for other antero-lateral procedures such as facet injections, medial branch blocks, stellate ganglion blocks, scalene injections, brachial plexus blocks and discography.



717.759.3146 www.oakworksmed.com email: medsales@oakworks.com