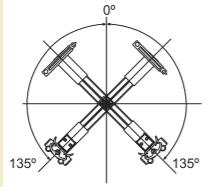
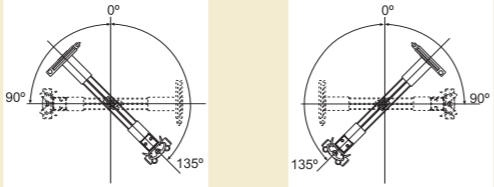
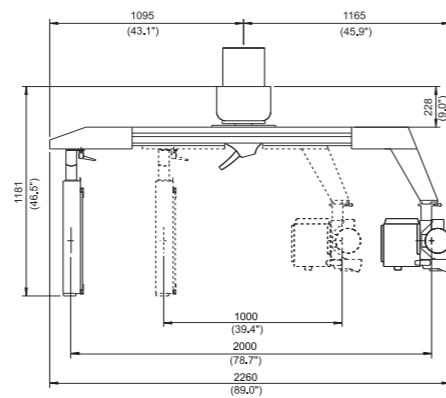
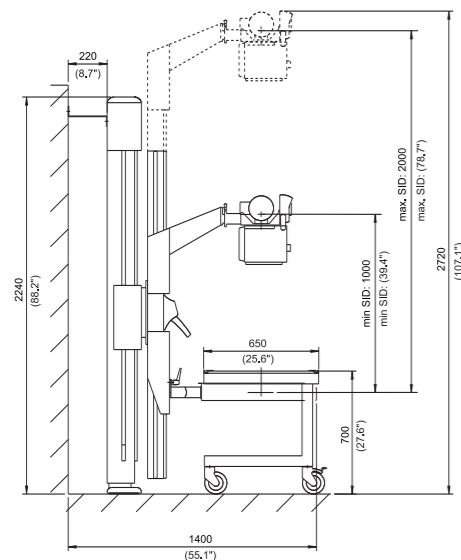


SPECIFICATIONS

Basic unit	Source-image distance (SID): 100-200 cm. continuously adjustable (manually) Power supply: 115, 208, 230, 240 VAC; single phase, 350 VA Dimensions (H x W x D): 2.720 mm x 2.260 mm x 1.400 mm										
Main column	Sturdy wall and floor-mounted support column with counterbalanced swivel arm for effortless, accurate setting										
Swivel arm	Vertical Travel: 1.140 mm Brakes: Electromagnetic (24 V DC), and manual Range of rotation:										
	 <p>Manual Version</p> <p>bucky on left side (standard)</p>	 <p>Motorized Version</p> <p>bucky on left side (standard) bucky on right side (optional)</p>									
Bucky unit	Type: - with cassette holder and bucky (max. cassette size: 43 x 43 cm) - range of tilt ± 45° - flat locking rails for accessories										
Grid	103 lines / Ratio 10:1 / f0 = 150 cm. Other grids can be used if required										
Generator	SEDECAL Compact X-ray generator (line powered / battery powered)										
Tube assembly	X-Ray tube turnable 360 ° with angle reading and detents at every 45°										
Collimator	Manual collimator with light field indicator and rails for accessories										
Patient table	Dimensions (L x W x H): 2.000 mm x 650 mm x 700 mm										
Options	- Installation of bucky on right hand side - Ionization chamber for bucky unit - Motorized movement for SID and vertical travel										
Accessories	- Compression band device - Head support										
Weights	<table border="1"> <tr> <td></td> <td>non-motorized</td> <td>motorized</td> </tr> <tr> <td>- URS net weight (table not included):</td> <td>260 kg</td> <td>294 kg</td> </tr> <tr> <td>- Table net weight:</td> <td>46 kg</td> <td>46 kg</td> </tr> </table>		non-motorized	motorized	- URS net weight (table not included):	260 kg	294 kg	- Table net weight:	46 kg	46 kg	
	non-motorized	motorized									
- URS net weight (table not included):	260 kg	294 kg									
- Table net weight:	46 kg	46 kg									

Specifications subject to change without prior notice

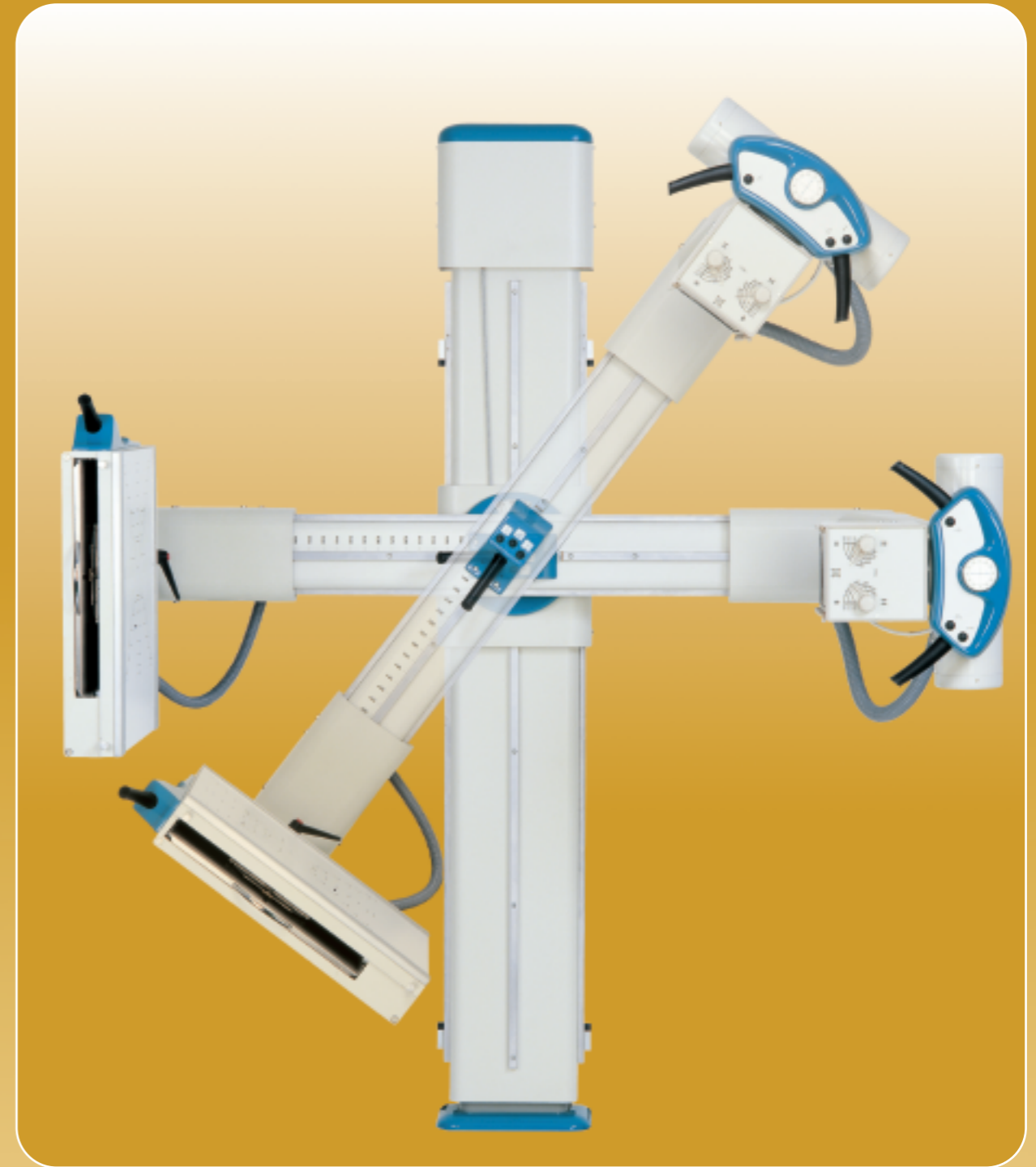


SEDECAL
Pelaya, 13 - Polígono industrial "Rio de Janeiro" - 28110 - Algete (Madrid - SPAIN)
Central Offices: Tel.: (34) 91-628 0544 / 91-628 1592
Factory: Tel.: (34) 91-629 0721
Fax: (34) 902 190 385
Email: marketing@sedecal.com
www.sedecal.com



SEDECAL USA Inc
2910 N Arlington Heights Rd.
Arlington Heights, Illinois 60004 - USA
Tel.: 1 (847) 394 - 6960
Fax: 1 (847) 394 - 6966
Email: sales@sedecalusa.com

SedX_Rev. 1.2_10_08_eng



SEDECAL X

Sedecal X is a universal swivel arm X-ray system. It is easy to operate and permits a swift radiographic procedure, a feature which applies to all conventional exposure techniques on all parts of the body.

The system is composed of a floor-to-wall column and a turnable arm with variable height centre. It allows to take exposures of patients in standing, sitting or laying position.

Owing to its compact design Sedecal X is a low-cost radiography system which takes up little space and is quick to install.



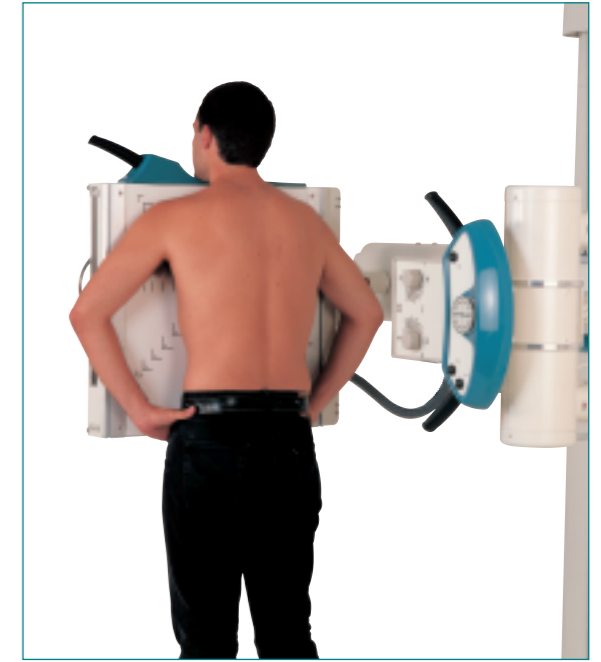
Exposures of patient in the seated position

During all movements of the swivel arm, and when the Bucky unit is tilted, the radiation beam axis always remains aimed at the centre of the film. This simplifies making adjustments and speeds up positioning. During exposure the patient adopts a comfortable, relaxed posture.



Exposures of patients in the standing position

Owing to the large vertical movement of the swivel arm patients in the standing position can be examined from head to foot. The large SID of 2.0 m in conjunction with the short source-image distance allows images with optimum geometry. Frequent applications are, for example, exposures of the chest and extremities.



Exposures of patients in the lying position

With the patient table the patient can be moved into any required position without the need for repositioning. Therefore Sedecal X offers the same advantages as a Bucky radiography table with a floating table top.