



## The PowerMax 1260

# AMAZINGLY AGILE, DEPENDABLY POWERFUL

Powerful image quality with  
on-the-go portability

The PowerMax 1260 provides maximum power, state of the art technology, system reliability and low maintenance, all in a small footprint, lightweight package.

The PowerMax 1260 was designed with agility in mind. Its compact, lightweight construction makes it easy for the operator to move the system effortlessly. Delivering maximum mR/mAs, the PowerMax 1260 produces 3kW of power across the entire kV range and provides hospital quality imaging and offers an easy upgrade path for clinical sites transitioning to Digital Imaging.

It provides the power required to compensate for the slower operating speeds of CR Systems, and is the ideal High Power portable x-ray system for organizations considering upgrading to DR.

The PowerMax 1260 is suitable for use in Hospitals, Urgent Care Facilities, Medical Examiner Offices, Nursing Homes, Home Healthcare, Orthopedic Practices, Sports Medicine, Correctional Facilities, and Military Field Deployable Applications.

## The PowerMax 1260 MODEL FEATURES

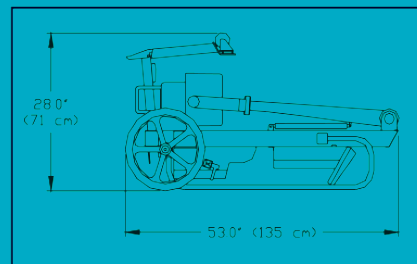
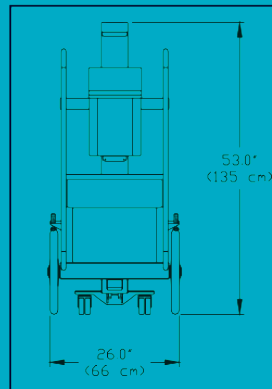
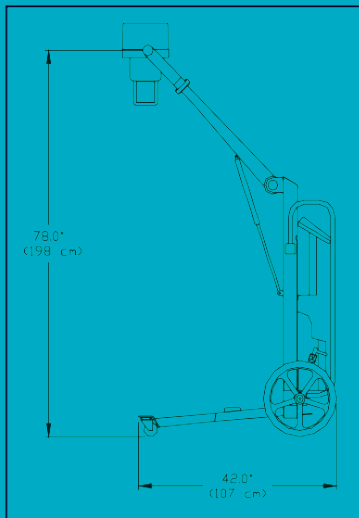
- Maximum Power Output
- 3.0 kW Across Full kV Range
- 120 kV, 15 - 60 mA
- High Frequency Generator
- Power Factor Correction
- Universal Input Voltage
- Microprocessor Control
- DR Compatible
- Light Weight
- Designed for Reliability
- Durable Powder Coat Finish
- Limited 3 year warranty

# MODEL PowerMax 1260 SPECIFICATIONS



<b>GENERATOR</b>	High frequency resonant inverter	<b>COLLIMATOR</b>	Collimare CP-100-24-C
Power	3.0 kW across full range	Laser Crosshairs	Center Locator
Input Voltage	110 - 230 VAC 50/60 Hz	Inclinometer	Angle Measurement
kVp Range	40 - 120 kVp, adjustable in 1 kV increments - closed loop regulation, Power Factor Correction	Tape Measure	SID Measurement
mA Range	Adjustable, 15 mA - 60 mA -closed loop regulation	<b>MODEL SR-1260 TRAVEL STAND</b>	
mAs Range	0.125 - 200	Min. F/S to Floor	13" / 33 cm
Exposure Time	0.01 - 3.33 seconds	Max. F/S to Floor	78" / 198 cm
Indicators	Digital display of kVp, mAs and Exposure Time X-Ray, Ready, mA Station and Fault indicators	Hor. Ext. of F/S	21" / 53 cm
<b>EXPOSURE SWITCH</b>	Detachable two-position	Hor. Rotation	200°
<b>X-RAY TUBE</b>	Stationary Anode 130 kVp	Tube Rotation	270°
Filtration	4.3 mm al minimum @ 120kVp	<b>SYSTEM WEIGHT</b>	110 lbs. / 50 kg
Target Material	Tungsten	Specifications are subject to change without notice. Names of companies and/or products appearing in this document are trademarks and /or registered trademarks for their respective companies. (Complies with CFR 21 Subchapter J)	
Anode Capacity	45,000 HU Storage		
Focal Spot	1.2 mm		
Target Angle	15°		

## DIAGRAMS



ISO 13485:2016 Certified

SOURCE-RAY, INC.  
 50 FLEETWOOD CT  
 RONKONKOMA, NY 11779  
 P: (631) 244-8200  
 x\_raysales@sourceray.com

Brochure, PM-1260 Rev. 2



SourceRay.com

**sri**  
 source-ray, inc.  
 IMAGING IS EVERYTHING