

AN-SERIES

HIGH FREQUENCY, APR X-RAY GENERATOR

A high frequency, Anatomically Programmed Radiography (APR) generator with LCD display and an advanced microprocessor control design. A reliable and technologically advanced generator that is flexible to the preferences of the technologist.

Key Highlights

10 - 15 Minute Calibration

Update APR by SD Card or PC

Integrated 24 Volt AC/DC Power Supply

Integrated Line Match Transformer

Programmed Techniques for 8 Body Regions
and Up to 12 Views Per Region

Compact Design Minimizes Space
Requirements

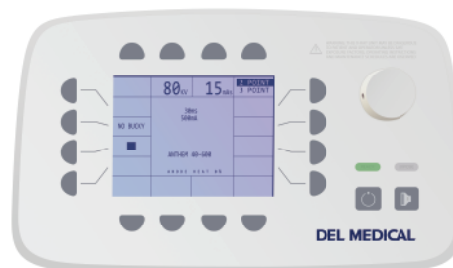
Optional AEC Operation Can Be Used In All Modes

Continuous kV and mA Stabilization

Automatic Line Voltage Compensation

Tube Protection Software and Circuitry

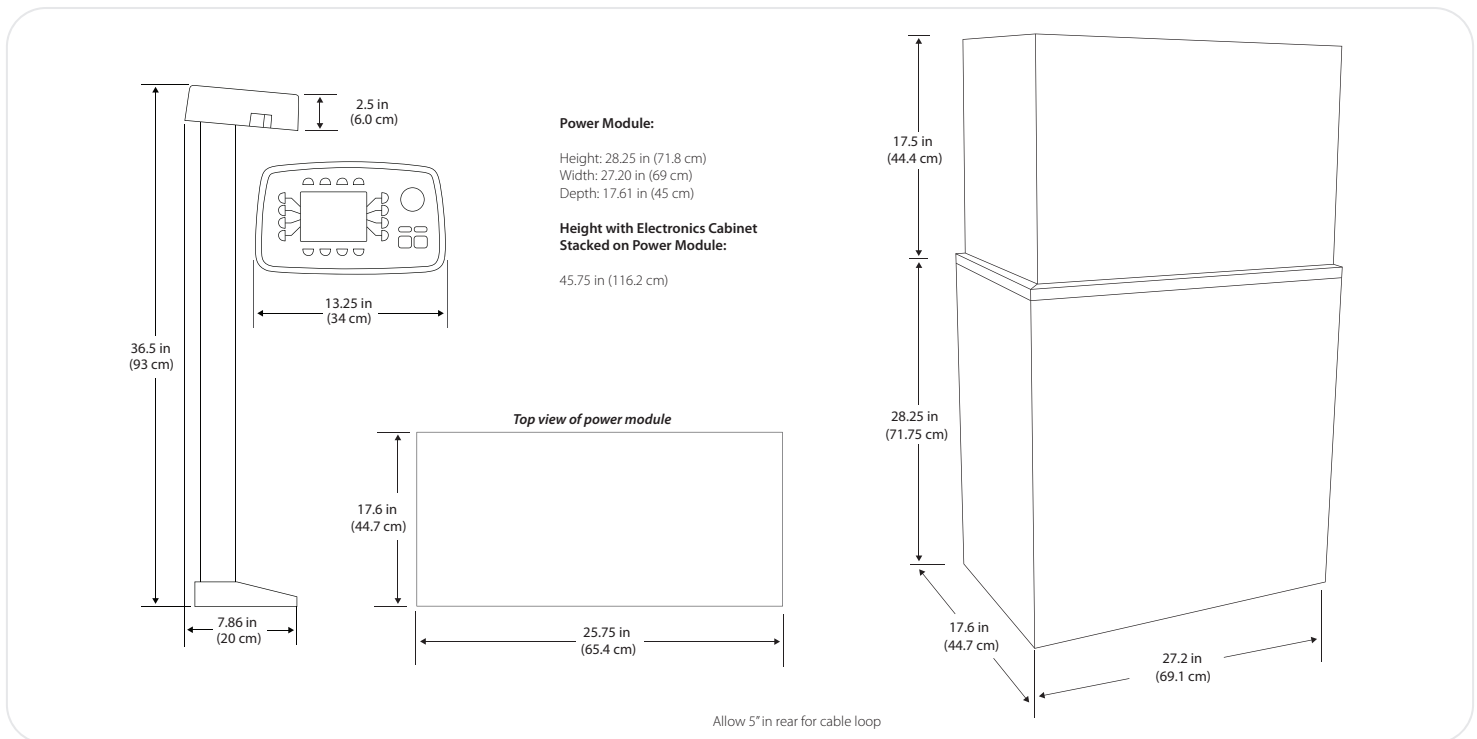
Operating Modes: 3-Point (kV/mA/ms)
2-Point (kV/mAs)
APR



Technical Specifications

* All specifications subject to change without notice

AN-Series	
Maximum mA:	650
kW Rating:	30 - 50
kVp Range:	40 - 125
Two-Point Operation:	kV / mAs
Three-Point Operation:	kV / mA / ms
mAs Range:	1.0 - 600
Time Stations:	75
Power Supply:	208 - 240 VAC 1 Phase 208 - 480 VAC 3 Phase
Available Configurations:	400 mA, 30 kW, 1P 500 mA, 32 kW, 3P 500 mA, 40 kW, 1P 600 mA, 40 kW, 3P 650 mA, 50 kW, 3P
Weight:	Single-phase (including shipping crate) - 344 lbs 3-phase (including shipping crate) - 450 lbs Upper cabinet power module - 126 lbs (1-phase) / 86 lbs (3-phase) Tank - 107 lbs Control console - 5.75 lbs Control console floor stand - 24 lbs Control console wall mounting bracket - 1.2 lbs
Options:	Wall mount for console Exposure handswitch Automatic Exposure Control (AEC) In table version (available on DEL MEDICAL RT100 tables only)



DEL MEDICAL



New York

28 Calvert Street
Harrison, NY 10528
(Tel) 800.261.9808
(Fax) 914.835.6111

Illinois

241 Covington Drive
Bloomington, IL 60108
(Tel) 800.800.6006
(Fax) 847.288.7011