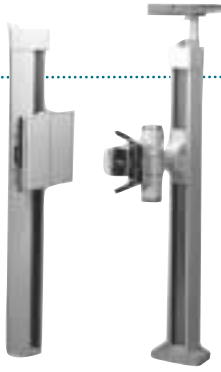


# Upright Raymaster System

Upright Raymaster System

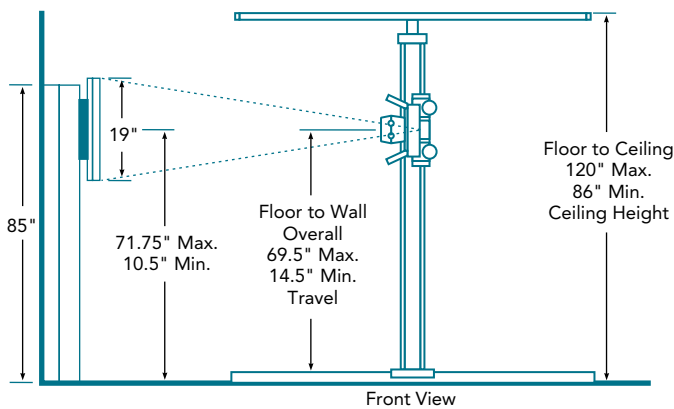
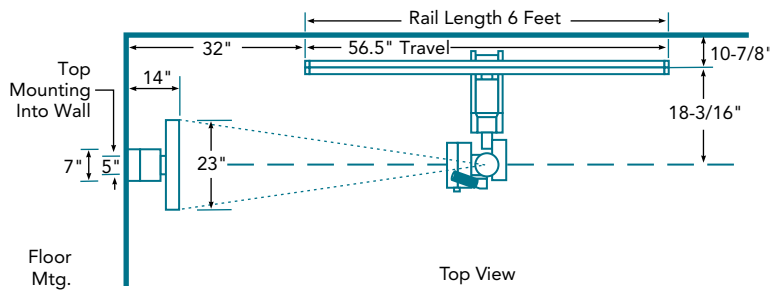




## Upright Raymaster System

**Universal uniquely combines economy and flexibility in a system designed to meet specialized and individual professional radiographic needs.**

**The Universal Raymaster system is thoroughly at home in private, group, or clinical applications. It provides full radiographic capability for comprehensive skeletal studies.**



### System Features & Options

- Tubestand – 8' or 12' track for use with optional tables
- Wall holder – 10:1 or 12:1 aluminum grid for grid cabinet
- Wall holder with electric locks
- 17" x 17" bucky with 103 line 8:1, 10:1, or 12:1 ratio grid and cassette tray
- 14" x 36" bucky with 103 line 8:1, 10:1, or 12:1 grid
- Baked-on medical white finish

### Five Year Equipment Warranty

Complies with all CDRH performance standards in effect at the date of manufacture. Specifications subject to change without notice. Made in U.S.A. UL-Listed.

