

Universal DR_{ds}TM

Digital High Frequency Veterinary System



A simple to use, high resolution direct radiography system with an 18 megapixel CCD sensor and 400mA HF generator. Preview your image in only 3 seconds with DICOM compliant image processing and display software utilizing the easy to use interface.

Available with a stationary, two or four-way float top table.

powered by
Simon^{dr}

Universal
Keeping Promises for Over Eighty Years.



Standard Features

Universal DRds Stationary Top Table with Integrated Tube Stand

- Integrated tubestand travels length of table
- CCD Camera travels length of table base and interlocks with tube stand
- X-ray tube is fixed at 40° SID, tube angles
- 200,000 heat unit x-ray tube 0.6-1.5mm focal spots with 90 degree horn angle
- Welded construction table with urine trap
- Rubberized, flexible keyboard
- Manual 150 kVp collimator with laser light centering, swivel mount, tape measure, 40' interconnect cable and spare bulb
- Pair 20' high voltage cables, federal terminations



Table Options

- **Universal DRds Plus 4** - Same as Universal DRds with a four-way float top table and electric locks. The 8" of cross and side-to-side table top travel reduces the need to physically move the patient.
- **Universal DRds Plus** - Same as Universal DRds with a two-way float top table and electric locks with 8" of cross table top travel.

High Frequency Generator

400 mA, 32 kW HF Generator

- Anatomically Programmed
- 40 – 125 kVp, 0.1 to 500 mAs, 250 mAs @125 kVp output
- Foot activated exposure switch and power supply
- Swivel arm kit for optional mounting of console to either side of tube stand



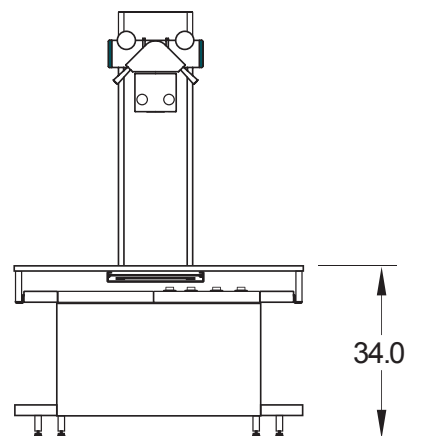
Manufacturer's Statement

- Specifications are subject to change without notice.
- Made in U.S.A.
- UL Classified.
- Del Medical is an ISO 13485 & ISO 9001 Certified Facility.
- Simon DR is an ISO 9001:2000 Certified Facility.

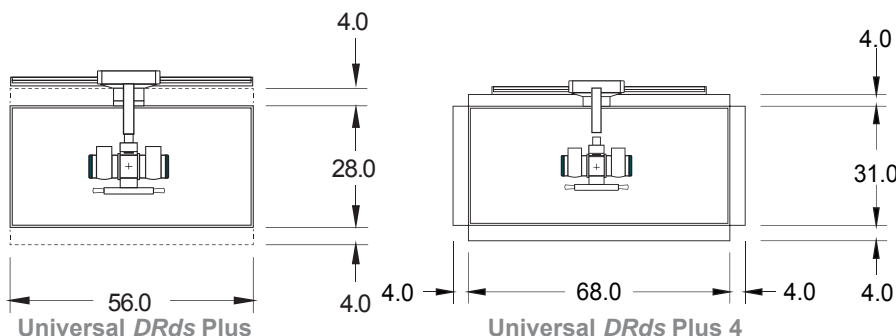


CCD System Specifications

- Simon DR CCD imaging module
- Image viewing area of 14" x 17"
- 18 mega pixel CCD sensor, 4.5 lp/mm
- WhiteCap image processing and display software
- Image preview in 3 seconds, diagnostic image in 18 seconds
- DICOM compliant with Animal Insides Validation "Pass with Support for Veterinary Attributes"
- Dual Xeon/Quad Core (8 processors)
- Storage capacity of over 100,000 images
- 2 terabyte redundant hard drives
- Internal CD/DVD-RW
- Windows 7 operating system
- 2.3 megapixel high resolution, 24" monitor, 1000:1 contrast ratio



All Universal DRds



Universal DRds Plus

Universal DRds Plus 4

DEL MEDICAL

Toll Free: (800) 800-6006

Fax: (847) 288-7011

Email: info@delmedical.com

www.delmedical.com

50 N. Gary Ave., Suite B, Roselle, IL 60172



Universal branded products are manufactured and distributed by Del Medical. Specifications are subject to change without notice.



Toll Free: (800) 261-9808

Fax: (914) 835-6111

Email: info@umgxray.com

www.umgxray.com

28 Calvert Street, Harrison, NY 10528